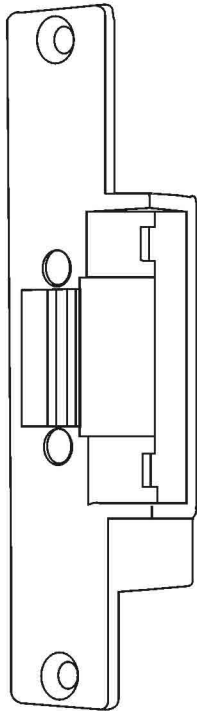
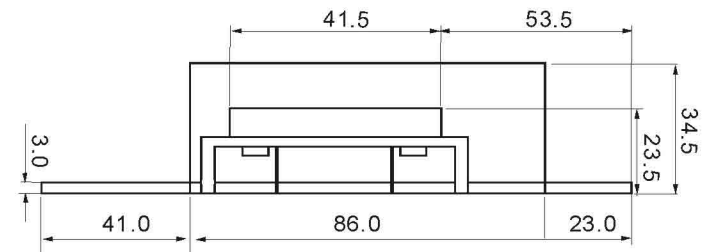
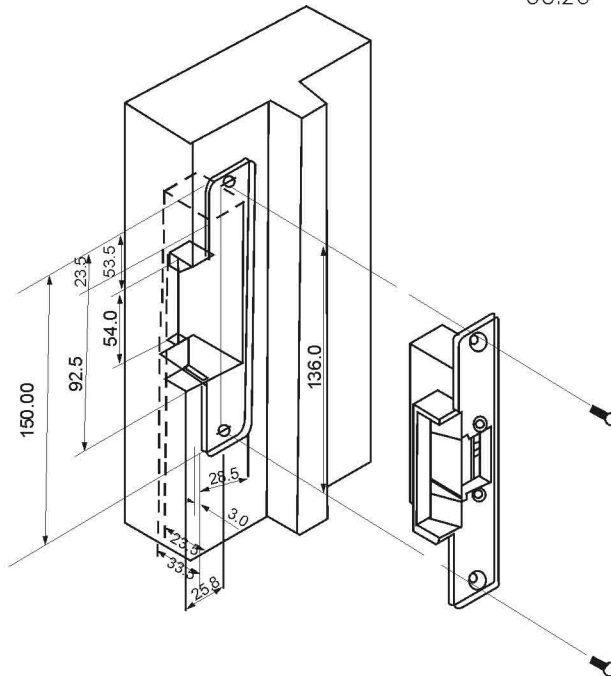
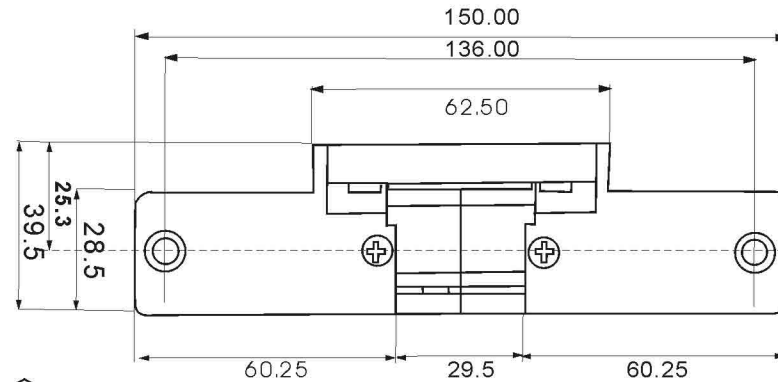


ELECTRIC STRIKE

MODEL:



INSTALLATION



SPECIFICATION

FACE PLATE: 150Lx39.5Wx28H(MM)
VOLTAGE: 12VDC
CURRENT: 450mA
200mA
FEATURE: FAIL SECURE(NO)
FAIL-SAFE(NC)
COLOR: GOLDEN OR GREY