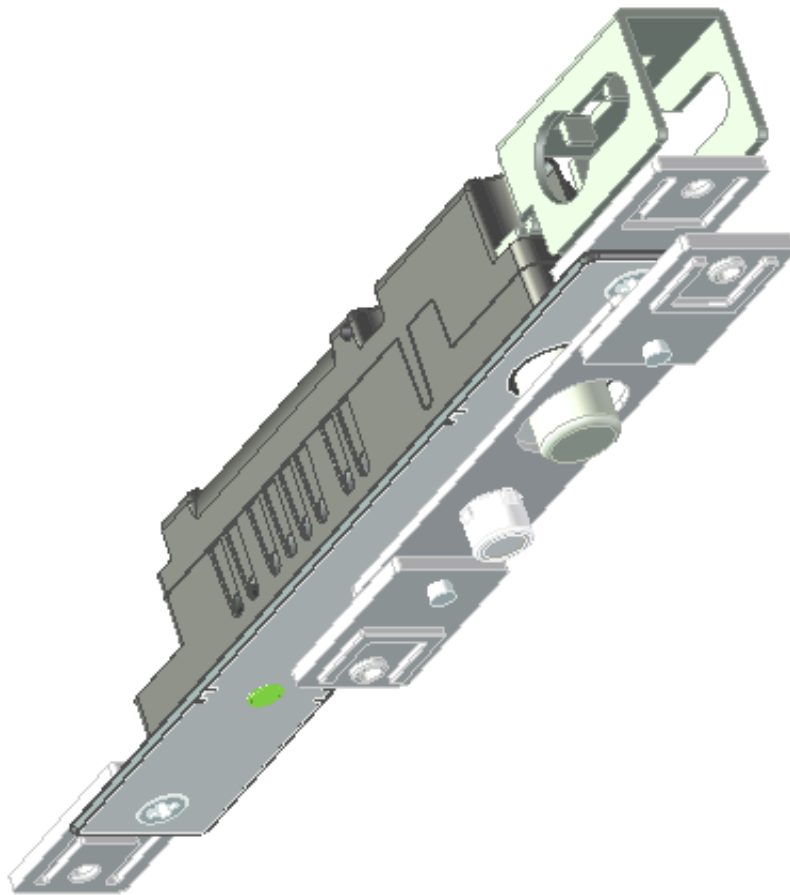


ELECTRIC BOLT LOCKS

AR-1203L SERIES

(Fail-Safe)(Power to Lock)

INSTALLATION INSTRUCTIONS



Contents

I.	Order Information	1
II.	Specifications	1
III.	Wiring Diagram	1
IV.	Contents	1
V.	Assembly materials	1
VI.	Power input setting	
	A. 12VDC input setting	2
	B. 24VDC input setting	2
VII.	Auto relocking timer setting	2
VIII.	Indicators–LED and BUZZER	2
IX.	System functions	2
X.	Installation Diagram	
	A. Electric Bolt locks body	2
	B. Strike plate	3
	C. Dimension	4

I. Order Information

✓	1. Whole alloy housing	✓	7. Auto-detective logical
✓	2. Dual Voltage: 12V / 24VDC(By 4-pin jumper)	✓	8. Lock status sensor output (LSS)
✓	3.Timer Setting: 0, 3, 6, 9 sec. for door locking	✓	9. Door position status output (DSS)
✓	4. Bicolor indicators: Dual LED	✗	10. Warning buzzer
✓	5. Exit Switch Input: No, momentary contact	✗	11. Connect Bicolor
✓	6. Latch off mode: press exit switch will hold	✗	12. With Mortice Lock Cylinder

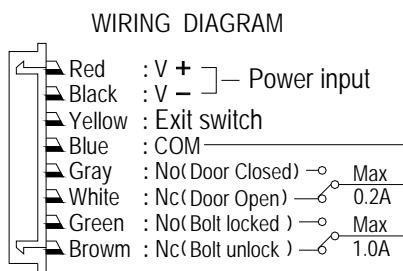
Note : a. Latch off mode (If connected with latch type of exit switch, the bolt lock will be as N.O. without activated till switch off.)

b. Connect Bicolor (Capability to extend the bicolor indicator by external indicators about 50cm)

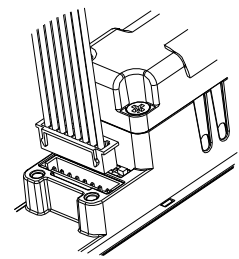
II. Specifications

Item	Contents		Remarks	
Power Input and Tolerance	12VDC	24VDC	Stable PSU recommended	
Current Draw	Pull in	1.0A	0.5A	Changeable by power input and higher outer temp.
	Holding	0.25A	0.13A	Changeable by power input and higher outer temp.
Surface Temperature	< 40 °C		Room Temp. 25 °C	
DSS	Max.3W; Max.30VDC;Max.0.2A		COM,NO,NC	
LSS	Max.30VDC;Max1A		COM,NO,NC	

III. Wiring diagram

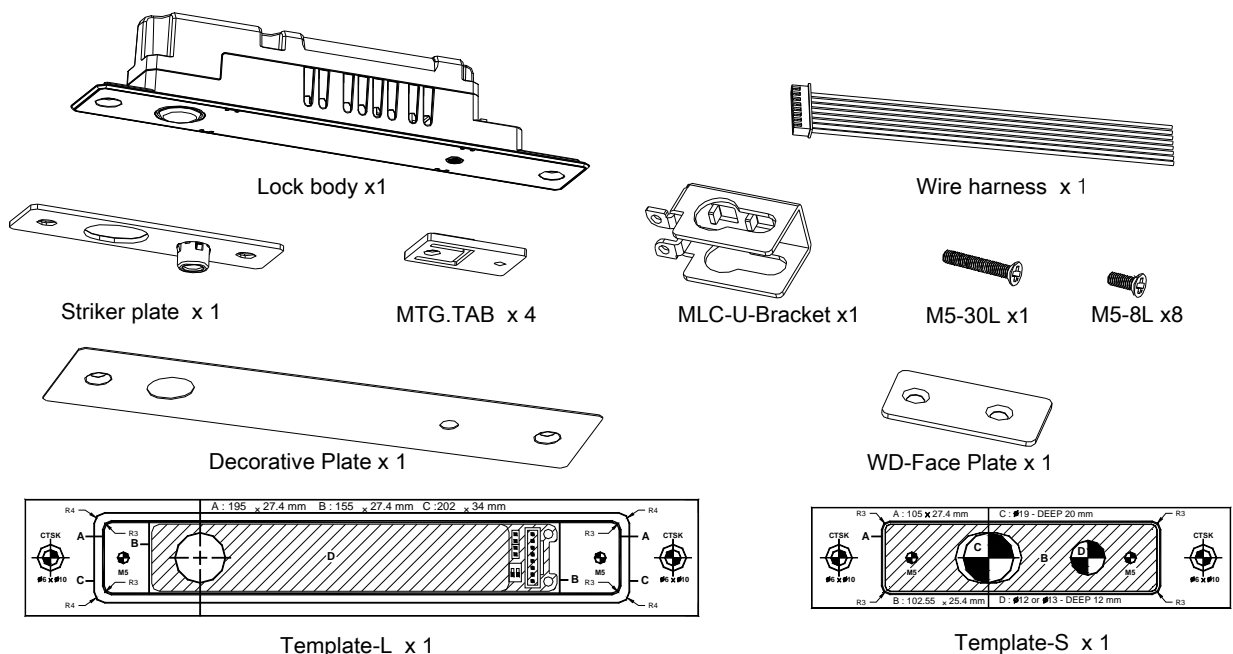


V+ (+12/+24VDC)	Red (22AWG)
V- (GND)	Black (22AWG)
Exit Switch	One close to Black (22AWG)
	One close to Yellow (26AWG)
DSS (Door Status Sensor)	COM-Blue (26AWG)
	NO-Gray (26AWG) Door Closed
	NC-White (26AWG) Door Open
LSS (Lock Status Sensor)	COM-Blue (26AWG)
	NO-Green (26AWG) Bolt locked
	NC-Brown (26AWG) Bolt unlock

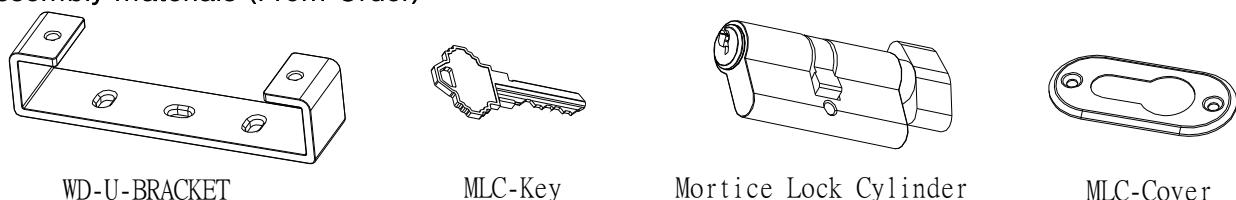


※ **Caution** : Please make sure the “+” and “-” wires are connected well and correctly before you apply a power source to the lock; Warning, Reverse polarity will make a short circuit and void products warranty.

IV. Contents



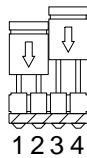
V. Assembly materials (From Order)



VI. Power input setting

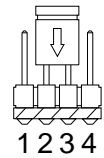
A. 12VDC input setting:

Jumper setting as shown on below:
PIN-1 and PIN-2 closed
PIN-3 and PIN-4 closed



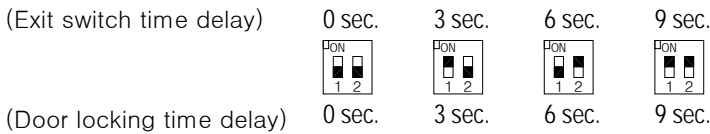
B. 24VDC input setting:

Jumper setting as shown on below:
PIN-2 and PIN-3 closed



※ **Caution** : Please DO NOT connects the incorrect voltage to lock; otherwise, this will void products warranty.

VII. Auto relocking timer setting: (0/3/6/9 sec.)



※ **Caution** : You need to set power off (or power disconnect) while setting the auto relocking timer.

VIII. Indicators—LED and BUZZER identification as following chart:

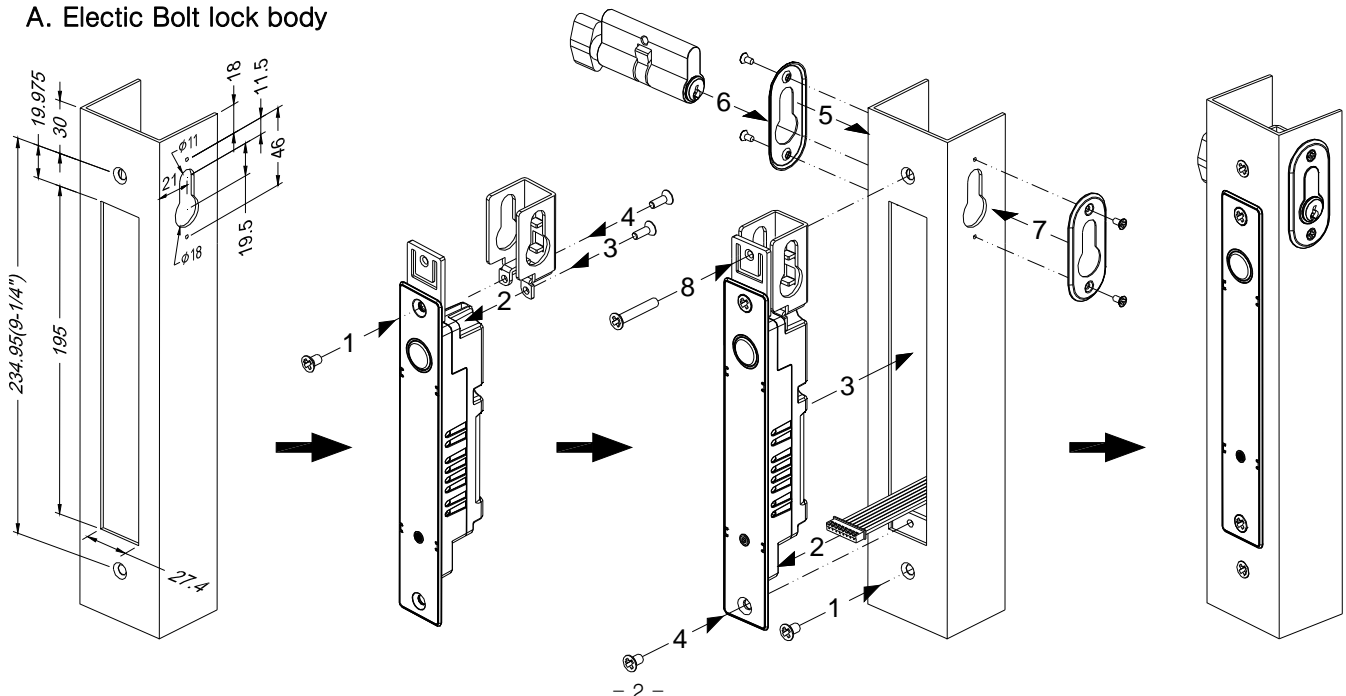
Indicators	LED	BUZZER
Waiting for locking	Red LED lights up	None
Door locking time delay	Green LED flashes once per second	None
Detecting lock	Red LED flashes once per second	None
Locked well	Green LED flashes once every two seconds	2 beeps per seconds
Fail to lock	Red LED flashes once per second for 10 seconds	1 beep per second for 10 seconds
Keeping locking	Red LED flashes once every two seconds for 30 seconds	1 beep every 2 seconds for 30 seconds
Forced entry (Alarm)	Green and Red LED's flash alternately every 0.5 sec. for 30 seconds	Keeps beeping for 30 seconds
Remote Release(Exit Switch)	Red LED flashes once per second for 3 seconds	1 beep per second

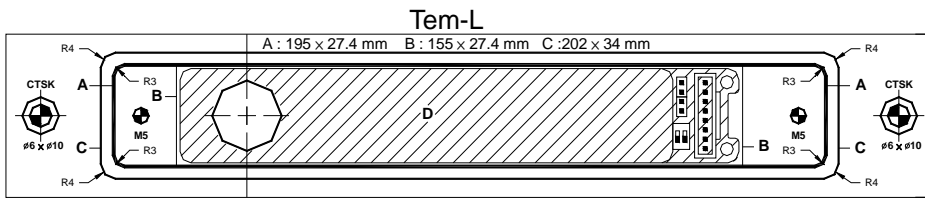
IX. System functions : By logical program systems to control the bolt lock; It has auto-detective functions including bolt fixed position, door locking time delay, locked well and forced entry (alarm) and remote release (exit switch). (*)—See “I. Order Information”

1. Standby (Power on the system when door is open): If you close the door, the system will receive an induction and the time delay (0/3/6/9 sec.) will start to count, and then the auto-detective function will execute the following movements:-
 - a. However, the period of time delay, if door is opened, the bolt will automatically retract and the systems will return to standby.
 - b. After a time delay (0/3/6/9 sec.), if door is closed, the bolt will automatically extend into the “Detecting lock” and execute the following functions.
 - c. After “Detecting lock” (or system received an induction of “Locked well”—(*)), the bolt will automatically extend and the lock will be held.
 - (*)d. After “Detecting lock”, if the bolt is out and not in the right position—“Fail to lock”, the users can see bicolor indicators or listen to the “warning buzzer” and push the door in the right position, the bolt will automatically extend and the lock will be held.
 - (*)e. After “Fail to lock”, the bolt will enter into “Keeping locking” mode and re-lock every 30 seconds, the users can see bicolor indicators or listen to the “warning buzzer” and push the door in the right position, the bolt will automatically extend and the lock will be held.
2. Unlock (In locking, push the exit-switch) – “Remote Release”: The bolt will automatically retract, after 3 seconds, if the door is closed, the time delay (0/3/6/9 sec.) will reset and count and then execute the following functions.
- (*)3. Forced entry (Alarm): Indicates an error status or forced entry, the system can alarm bell given (30 seconds).

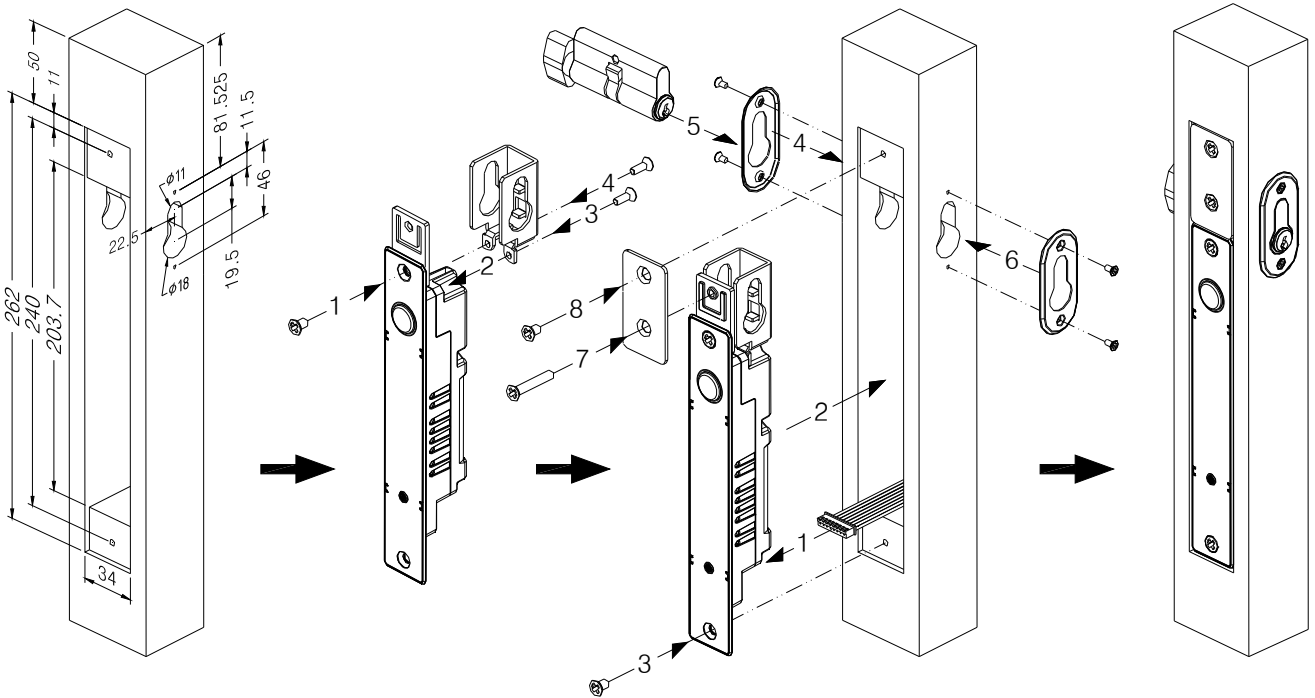
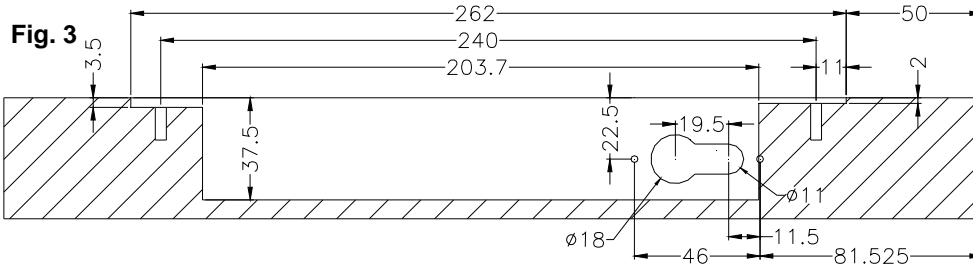
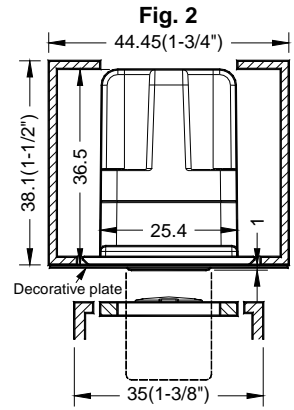
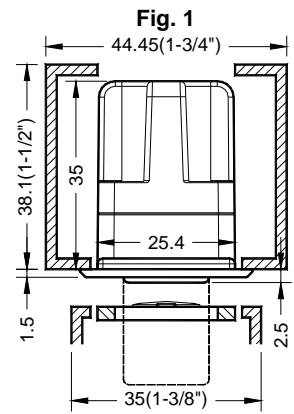
X. Installation Diagram :

A. Electric Bolt lock body





1. Template-L: Paste up on the doorframe surface before making a mortise cutout.
(Template-L: Place-D is a lock body)
2. Fig.1: The reference diagram of installation_1 (Typical-End view)
(Suitable for Door crack width > 3.0 mm)
3. Fig.2: The reference diagram of installation_2 (Decorative plate-End view)
(Suitable for Door crack width > 1.5 mm)
4. Fig.3: The reference diagram of installation_3 (Wood doorframe-Dimensions)
(Suitable for Door crack width > 1.5 mm)



B. Striker plate

Tem-F

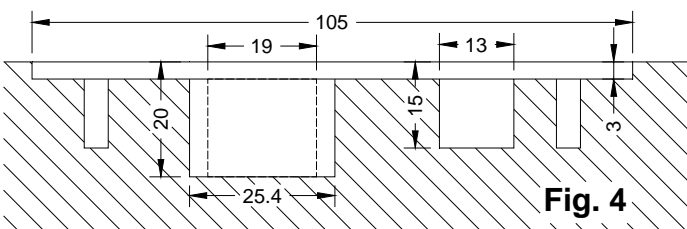
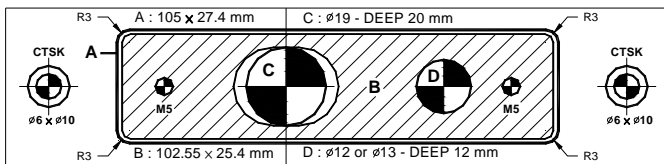
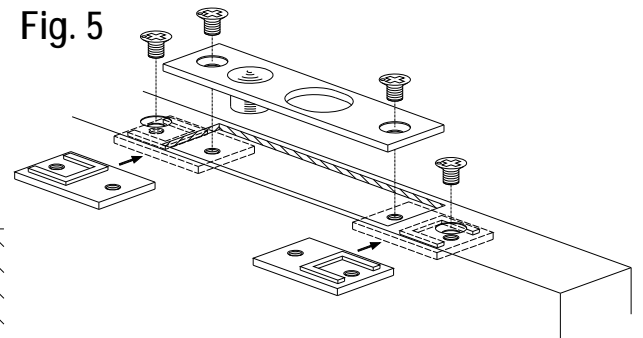


Fig. 5



1. Tem-F: Paste up on the door-side surface before making a mortise cutout.
(Tem-F: Place-B is a strike-plate)
2. Fig.4: The reference diagram of installation_4
(Wood door-Dimensions)
3. Fig.5: The reference diagram of installation_5
(Suitable for Metal door)
4. Fig.6: The reference diagram of installation_6
(Suitable for Wood door)
5. Fig.7: The reference diagram of installation_7
(Suitable for Heavy duty door)

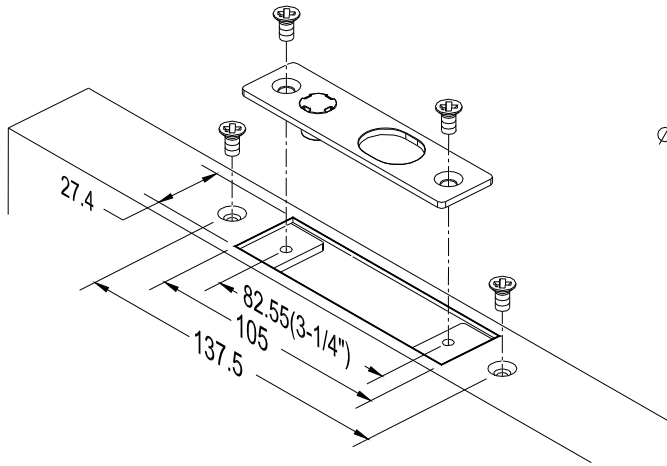


Fig. 6

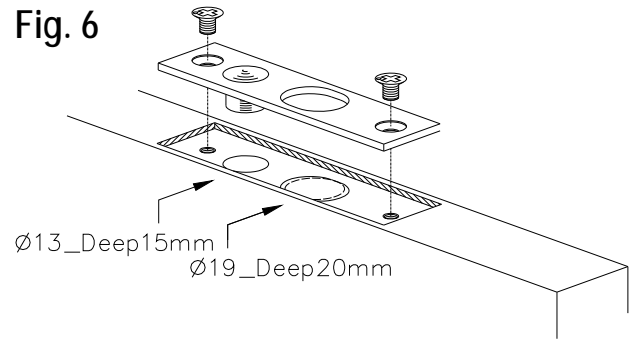
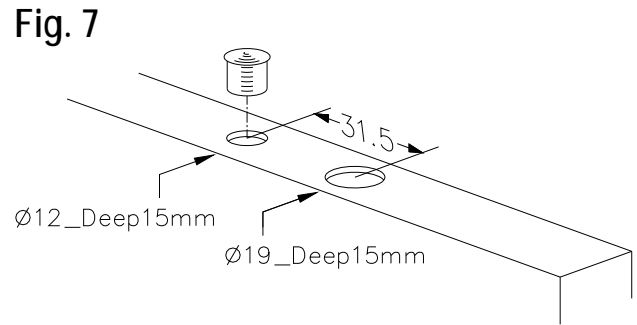


Fig. 7



C. Dimension

Bolt	Ø15.8 mm	Bolt Depth	16 mm (5/8")	Lock Body	150L×25.4W×33D mm
Cover(Eaves)	200L×32W×1.5T mm	Face plate	193L×25.4W×2T mm	Striker plate	102.55L×25.4W×2T mm
Decorative plate	210L×44W×0.5T mm (Assembly materials)				

