

Contents

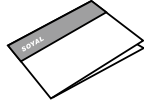
1 Product



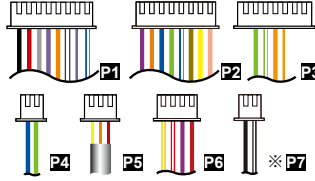
2 Optional



3 User Guide

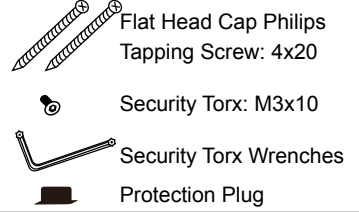


4 Terminal Cables

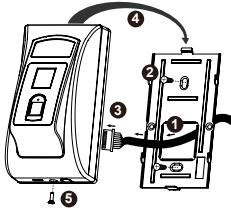


※ P7 only provide to the controller that have doorbell function.

5 Tools



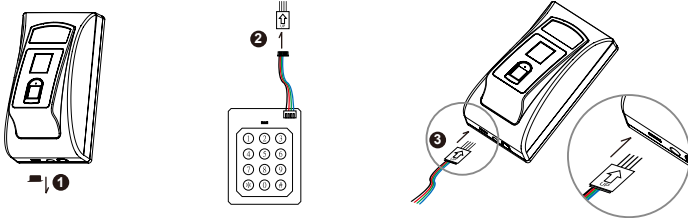
Installation



- Pull the cables from the square hole of the mounting plate.
- Use a screwdriver to screw the base onto the wall.
- Connect the terminal cables to the body and attach the body to the mounting plate.
- Assemble the covers with the Allen key and screws (accessories supplied).
- Turn on the power and LED will light and beep will sound.

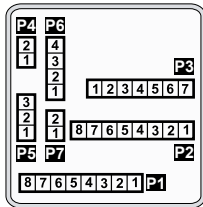
External WG keyboard

※ If you want to program system on controller directly, please order WG keyboard then install it according to the following pattern.



- Remove the Protection plug that in the bottom left. (※ Do not lose protection plug or it will affect the protection level.)
- WG Keyboard cable will be connected to the pin board.
- WG Keyboard connected to the controller from the bottom left of the hole.
- When you finish programming system, please put protection plug back to the controller.

Connector Table



Cable: P1

Wire Application	Wire	Color	Description
Lock Relay	1	Blue White	(N.O.)DC24V1Amp
	2	Purple White	(N.C.)DC24V1Amp
Common-COM-Point	3	White	(COM)DC24V1Amp
Door Contact	4	Orange	Negative Trigger Input
Exit Switch	5	Purple	Negative Trigger Input
Alarm Relay	6	Gray	Transistor Output Max. 12V/100mA (Open Collector Active Low)
	7	Thick Red	DC 12V
Power	8	Thick Black	DC 0V

Cable: P2

Wire Application	Wire	Color	Description
Beeper	1	Pink	Beeper Output 5V/100mA, Low
	2	Yellow	Red LED Output 5V/20mA, Max
LED	3	Brown	Green LED Output 5V/20mA, Max
	4	Blue White	Transistor Output Max. 12V/100mA (Open Collector Active Low)
Door Output	5	Thin Green	Wiegand DAT: 0 Input
	6	Thin Blue	Wiegand DAT: 1 Input
WG Door Contact	7	Orange	Negative Trigger Input
WG Exit Switch	8	Purple	Negative Trigger Input

Cable: P3

Wire Application	Wire	Color	Description
TCP/IP Output	1	---	---
	2	---	---
	3	Orange White	Net - TX+
	4	Orange	Net - TX-
	5	Green White	Net - RX+
	6	Germ	Net - RX-
	7	---	---

Cable: P4

Wire Application	Wire	Color	Description
RS-485 for Lift Controller	1	Thick Green	RS-485(B-)
	2	Thick Blue	RS-485(A+)

Cable: P5

Wire Application	Wire	Color	Description
Anti-Tamper Switch	1	Red	N.C.
	2	Orange	COM
	3	Yellow	N.O.

Cable: P6

Wire Application	Wire	Color	Description
Power	1	Red	DC 12V Output
Security trigger signal	2	Purple	Security trigger signal Output
Arming	3	Red White	Arming Output
Duress	4	Yellow White	Duress Output

Cable: P7 (For the controller that doorbell function.)

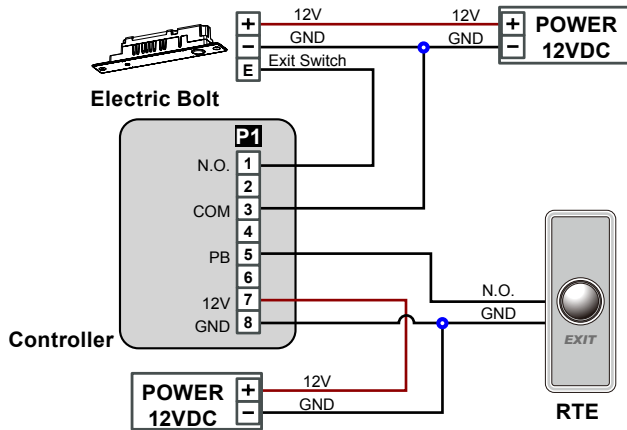
Wire Application	Wire	Color	Description
Doorbell	1	Black White	Transistor Output Max. 12V/100mA (Open Collector Active Low)
	2	Black	GND

Notice

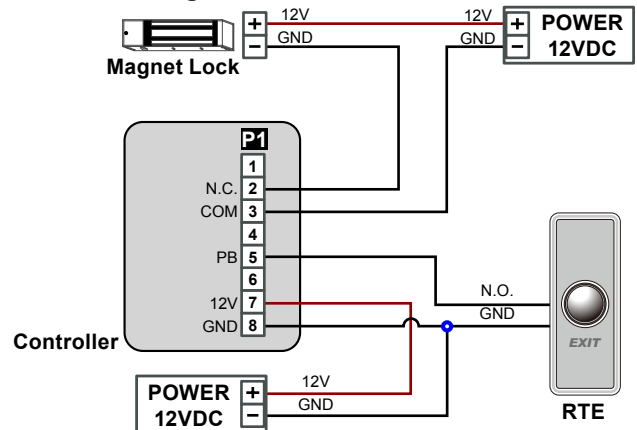
- 1.Tubing:** The communication wires and power line should NOT be bound in the same conduit or tubing.
- 2.Wire selection:** Use AWG 22-24 Shielded Twist Pair to avoid star wiring.
- 3.Power supply:** Don't equip controller and lock with the same power supply. The power for controller may be unstable when the lock is activating, that may make the controller malfunction.
The standard installation: Door relay and lock use the same power supply, and controller use independent power supply.

Wiring Diagram

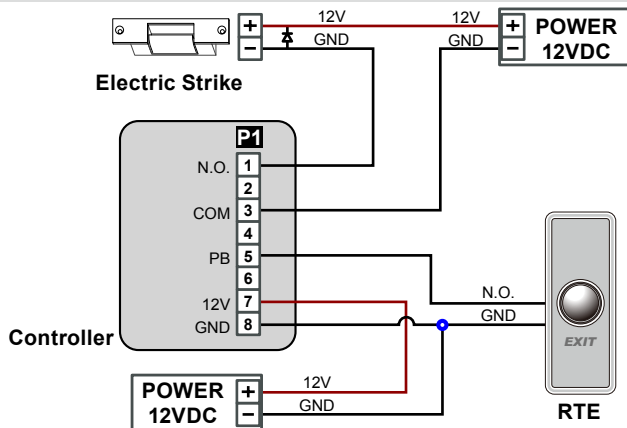
Connect to Electric Bolt



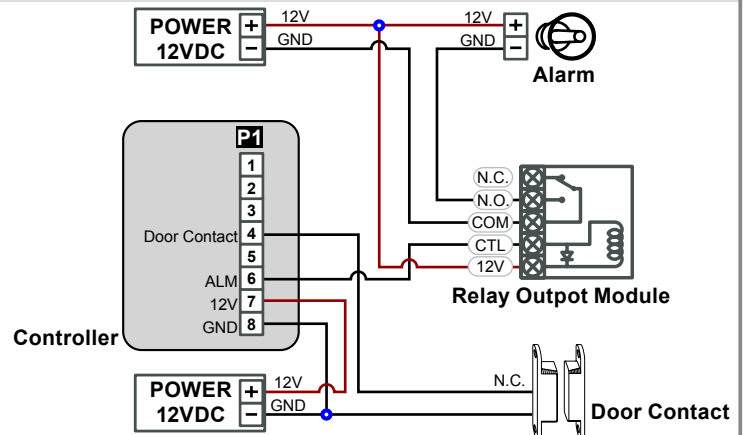
Connect to Magnet Lock



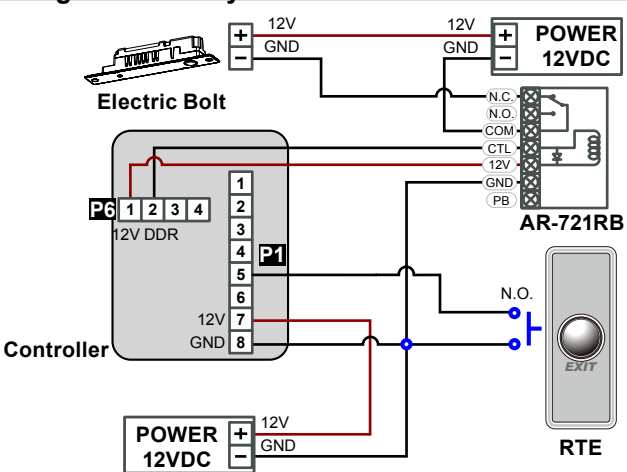
Connect to Electric Strike



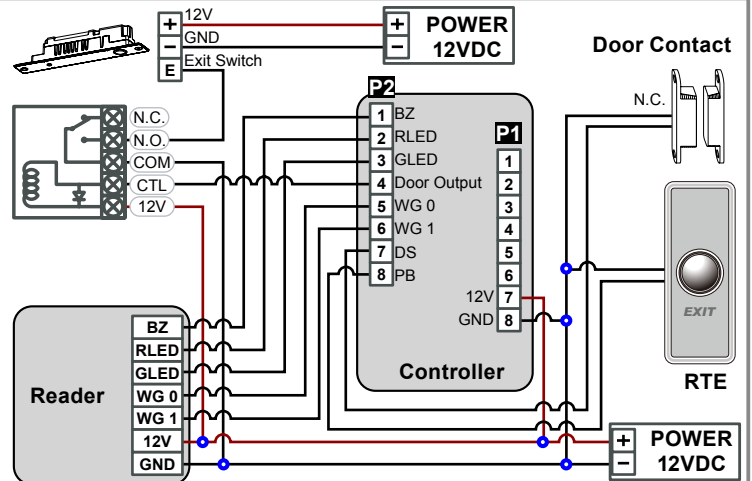
Connect to Door Contact



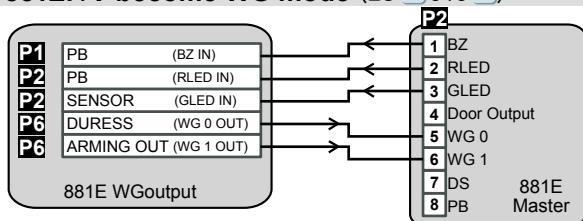
Strengthen security with AR-721RB



Connect to Reader



AR-881EF/V become WG mode (28 * 016 #)



1. When AR-881EF/V become WG mode, it can be used with any controllers.
2. AR-881EF/V support Anti-pass-back by finger or card.

※Using Rule :

Finger : Both 881E Master mode and 881E WG mode must store all the same FP data and real or virtual card number.

Card : Can pass WG message to controller.

Adding and Deleting Tag

• Add Single Tag or Random tags

Input *123456 # (or Master Code) → 19 * UUUUU * 00001 # → Present the tag(s) with Controller (single tag or random numbered cards one by one) → Done
 [e.g.] 2 readom cards with user addresses No. 100 and No. 101:
 Access programming mode → 19 * 00100 * 00001 # → Present the tags one by one → Done

• Add the Sequential tags

Input *123456 # (or Master Code) → 19 * UUUUU * QQQQ # → Present the tags (Present the tag with the **lowest number** first.) → OK
 [e.g.] User Address NO.101 to NO.120 have 20 pcs of sequential tags:(62312~62332) :
 Access programming mode → 19 * 00101 * 00120 # → Close Tag into RF Area(only use the tag NO.62312) → OK

• Delete a Single Tag

Input *123456 # (or Master Code) → 10 * SSSSS 9 EEEEE #
 [e.g.] Delete User Address: 00058
 Access programming mode → 10 * 00058 9 00058 #

• Delete a batch of Tags

Input *123456 # (or Master Code) → 10 * SSSSS 9 EEEEE #
 [e.g.] Delete User Address: 00101~00245
 Access programming mode → 10 * 00101 9 00245 #

• Delete All Tags

Input *123456 # (or Master Code) → 29 * 29 * #

Tag Information



Programming

A. Entering and Exiting Programming Mode

• Entering

Input *123456 # or *PPPPPP #
 [e.g.] The Default Value= 123456, if already changed the Master Code= 876112, input *876112 # → Access programming mode

• Exiting

Input * #

• Changing the Master Code

Access programming mode → 09 * PPPPPRRRRR # [Input the 6-digit new master code twice.]
 [e.g.] If want to changing the Master Code= 876112, input *123456 # → 09 * 876112876112 #

B. Changing the Node ID of Reader

Access programming mode → 00 * NNN * MMM * AAA #
 [NNN= Node ID: 000~254; MMM=AR-881EF/EV Door NO.:1~255; AAA=WG Reader Door NO.:1~255]

C. Anti-pass-back

Usually, anti-pass-back is commonly applied to parking areas in order to prevent from multi-entry with one card at a time, or somewhere wants to monitor not only the access but also exit condition.

• Enable device

Access programming mode → 20 * U * DDD # U= Enable target unit(0=AR-881EF/EV,1=Reader) [Please refer to function default value for details.]
 [e.g.] If the **AR-881EF/EV** set to **exit reader**, **WG Reader** set to **access reader**.
 Access programming mode → 20 * 0 * 128 # → 20 * 1 * 192 # [Please refer to function default value for details.]

• Enable card user

Access programming mode → 26 * SSSSS * EEEEE * P # SSSSS= starting user address; EEEEE= ending user address [P=0 Enable/ P=1 Disable/ P=2 Reset]
 [e.g.] User address from 00152 to 00684 enable the anti-pass-back function: 26 * 00152 * 00684 * 0 #

D. Auto Open Zone

Door will keep opening after first man flashing card. When the reader is stand-alone, supporting only 16 sets of auto-open zone by device setting. Auto-open zone can extend up to unlimited sets by Networking.

• Enable/Disable auto open zone

Access programming mode → 20 * U * DDD # U= Enable target unit(0=AR-881EF/EV,1=Reader) [Please refer to function default value for details.]
 [e.g.] If the **AR-AR-881EF/EV** set to **Enable aut open zone**.
 Access programming mode → 20 * 0 * 004 # [Please refer to function default value for details.]

• Enable/Disable auto open door without presenting card

Access programming mode → 24 * U * DDD # U= Enable target unit(0=AR-881EF/EV,1=Reader) [Please refer to function default value for details.]
 [e.g.] If the **WG Reader** set to **Enable aut open door without presenting card**.
 Access programming mode → 24 * 1 * 128 # [Please refer to function default value for details.]

• Setting up access time

Access programming mode → 08 * MW * NN * HHMMhhmm * 7123456H # [M=AR-881EF/EV; W=Reader(0=disable,1=enable); NN: 16 sets of auto-open zone (NN=00~15); HHMMhhmm=Starting time to ending time; 7123456H= 7 days of week + Holiday (F= 0: disable; 1: enable)]
 [e.g.] AR-881EF/EV (**without WG reader**), to set second time zone which could be passed only at 9:30am to 4:20pm on Mon, Wed and Fri.
 Access programming mode → 08 * 10 * 02 * 09301620 * 01010100 # → setting is completed

E. Lift control

Connect with **AR-401RO16B** to control floors which the user will be able to access. [BAUD9600]

• Single floor

Access programming mode → 27 * UUUUU * LL #

UUUU=User Address LL=Floor number (01~64 floor)

[e.g.] User address NO. 45 only can reach the elevator to the 24th floor: 27 * 00045 * 24 #

• Multi floors

Access programming mode → 21 * UUUUU * G * LLLLLLLL #

[UUUUU=User address G: 8 sets of lift control (Input: 0~7) LLLLLLLL:

8 floors setting (L=0=Disable, L=1=Enable)

[e.g.] User address NO. 168 can reach only the 6th and 20th floor:

Access programming mode → 21 * 00168 * 0 * 00100000 #

→ 21 * 00168 * 2 * 00001000 # → OK (Please refer to floor chart as right.)

Please refer to below floor chart

Set (G)	Floor							
	L	L	L	L	L	L	L	L
0	8	7	6	5	4	3	2	1
1	16	15	14	13	12	11	10	9
2	24	23	22	21	20	19	18	17
3	32	31	30	29	28	27	26	25
4	40	39	38	37	36	35	34	33
5	48	47	46	45	44	43	42	41
6	56	55	54	53	52	51	50	49
7	64	63	62	61	60	59	58	57

F. Setting Up the Arming

• Conditions:

1. Arming is enabled
2. Alarm system connected

• Application:

1. **Door open too long:** Door is open longer than door relay time plus door close time.
2. **Force open** (Opened without a valid user card): Access by force or illegal procedure.
3. **Door position abnormal:** Arming is enabled and the power is suddenly off then on.

• Enable Arming status:

Standby Mode			
Card only		Card or Passcode	
Enable all devices	Enable particular device	Card or Passcode	Card and Passcode
Induct valid card → Input 4 digit arming code → * * #	Induct valid card → Input 4 digit arming code → * U # or #	Input 5 digit user address → Input 4 digit pass code → # → Input 4 digits arming code → * * # or * U #	Induct valid card → Input 4 digit pass code → # → Input 4 digits arming code → * * # or * U #
Enter Program Mode			
Enable all devices: Access programming mode → * * #		Enable particular device: Access programming mode → * * U #	

• Disable Arming status:

Standby Mode			
Card only		Card or Passcode	
Disable all devices	Disable particular device	Card or Passcode	Card and Passcode
Induct valid card → Input 4 digit arming code → * 9 #	Induct valid card → Input 4 digit arming code → * U # or #	Input 5 digit user address → Input 4 digit pass code → # → Input 4 digits arming code → * 9 # or * U #	Induct valid card → Input 4 digit pass code → # → Input 4 digits arming code → * 9 # or * U #

※ Factory default armingcode is: 1234. U=Reader unit (0=AR-881EF/EV, 1=WG Reader).

G. Adding / Deleting Fingerprint or Finger-Vein

• Adding

Access programming mode → 3 9 * F * UUUUU # Place your finger on the sensor

[F=1= Adding 1 Finger data; F=2= Adding 2 Finger data; UUUUU= User address]

How to add a finger data:

Adding 1 FingerVein	Finger 1	Bi (release)	Finger 1	Bi(Higher) (release)	Finger 1	Bi(Higher) (release)	High pitch Long Bi (OK)							
Adding 2 FingerVein	Finger 1	Bi (release)	Finger 1	Bi(Higher) (release)	Finger 1	Bi(Higher) (release)	Long Bi (OK)	Finger 2	Bi (release)	Finger 2	Bi(Higher) (release)	Finger 2	Bi(Higher) (release)	High pitch Long Bi (OK)
Adding 1 Fingerprint (By DO)	Finger 1						High pitch Long Bi (OK)							
Adding 2 Fingerprint (By DO)	Finger 1			High pitch Long Bi (OK)			Finger 2			High pitch Long Bi (OK)				

※ If you hear continuous "beep..." sounds when you place finger on the sensor, please release your finger from the sensor.

• Deleting

Access programming mode → 3 9 * 0 * UUUUU #

UUUUU= User address

• Deleting All

Access programming mode → 3 9 * 9 * 99999 #

H. Enable/Disable Skip Finger/Tag

Access programming mode → 4 0 * F * NNNNN * EEEEE #

(Please consult detail command on page 8.)

NNNNN= starting user address

EEEEEE= ending user address

F= 1+3(Default Value)

Command Setting	Software Setting	Access Mode	Way
40 * 1 * NNNNN * EEEEE #	<input type="checkbox"/> Just fingerprint	FP first and then Tag	First + Then
40 * 3 * NNNNN * EEEEE #	<input type="checkbox"/> Just card control		
40 * 0 * NNNNN * EEEEE #	<input checked="" type="checkbox"/> Just fingerprint	FP only or Tag only	or
40 * 2 * NNNNN * EEEEE #	<input checked="" type="checkbox"/> Just card control		

G. Adding / Deleting Fingerprint or Finger-Vein

1. For dual-fingerprint sensor module version, capacitive sensor module is the only enabled way for enrolling FP.
2. For dual-fingerprint sensor module version, user just can select one of fingerprint sensor for identification and can't put two fingerprints to different sensor at the same time.
3. Extra WG keypad panel is needed for adding card or downloading data connected to PC.
4. Each finger need to be collected **3 times** enrolling for AR-881EV / Each finger need to be collected **1 times** enrolling for AR-881EF.

H. The process of FP/Vein identification

1. While attached a finger on biometric sensor, there is a beep sound for starting the scanner. Then, please don't move your finger until the 881EF/EV makes another beep sound.
2. If there is a 8-beep sound after user gets access by FP/Vein, the FP/Vein data shall be reset by command 39*9*99999# under the programming mode.
Cautions: Before reset the FP/Vein, please backup the data from source FP/Vein first.

Restoring Factory Settings

Reset all device parameters and user card data

- **Reset all device parameters and user card data:**

Use the command:

Access programming mode → 29 * 29 9 #

Use the Button on the PCB:

Press "IP Reset Button" of main board for few seconds, then IP and all device parameters will reset. (Reference to picture)

※ After operation as above, you will hear the long reminder sound, and wait until the sound disappear then reset the power of the controller, the device will restore factory setting. After restore factory default, the biometric identification system will stop using, please refer to [38 * DDD #] command to reopen.

- **Reset all user card data:**

Access programming mode → 29 * 29 * #

Deleting All Fingerprint or Finger-Vein:

Access programming mode → 39 * 9 * 99999 #



Firmware Upgrade

Get the upgrade software from SOYAL or our distributor and run "UdpUpdater" software

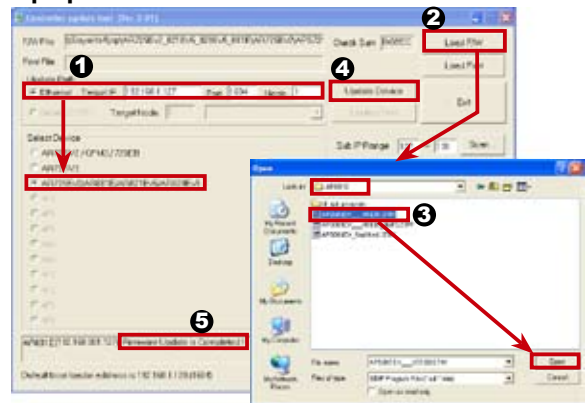
- **Execute the software** UdpUpdater.exe

The software is within SOYAL CD or Login the SOYAL web to downloads

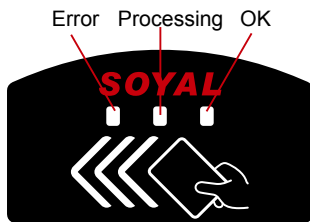
- **Update the firmware**

[Please login the SOYAL web to download the new ISP Firmware.]

1. Input the Target Address and Port
2. [Load F/W] open the documents that have the new ISP Firmware
3. Click the new ISP Firmware and [Open] it
4. Click [Update Device] to start the firmware update
5. Till the screen shown [Firmware Update is Complete]

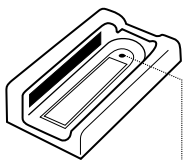


Front Panel & Indicator

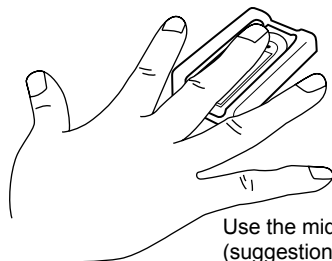


How to place finger for finger vein authentication unit

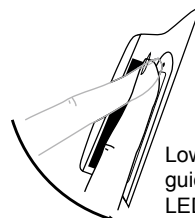
1. Set up the finger vein reader to the position where finger can easily be placed.
2. Use the middle or ring finger of either hand for the registration/authentication purpose.
3. Put your finger tip first to the top of the unit and lower the finger down along the finger guide slowly.
4. There is touch sensor on the rear end of the unit. Lower your finger to touch the sensor to start verifying.
5. Red LED generates during the authentication. Please release the finger when red LED turns off.
※ Do not bend the finger to authenticate
※ Do not press your finger on the recognition unit violently.



The top of the unit



Use the middle or ring finger (suggestion)



Lower the finger down along the finger guide slowly. Release the finger when red LED turns off.

IP Setting

- Open your Web Browser and input factory default IP address: <http://192.168.1.127>

If the IP address of AR-881EF/EV has changed We must enter the new IP address.



- Page menu

[Current State](#)

Monitor the on-line computer

[Network Setting](#)

IP Setting

[User Password](#)

Change the Log-in information

- Current State

Online Status is able to monitor and show which computer is linking on Ethernet Module

Name	Type	IP address	Subnet mask	Gateway	DHCP
eth1	Ethernet	192.168.1.127	255.255.255.0	192.168.1.254	0

Show which computer is linking on Ethernet Module.

Current IP address of the AR-881EF/EV

- Log-in User Password

When you choose the "Networking Setting" or "User Password" at first.

Log-in window will pop out and please input

※ At the Factory Default

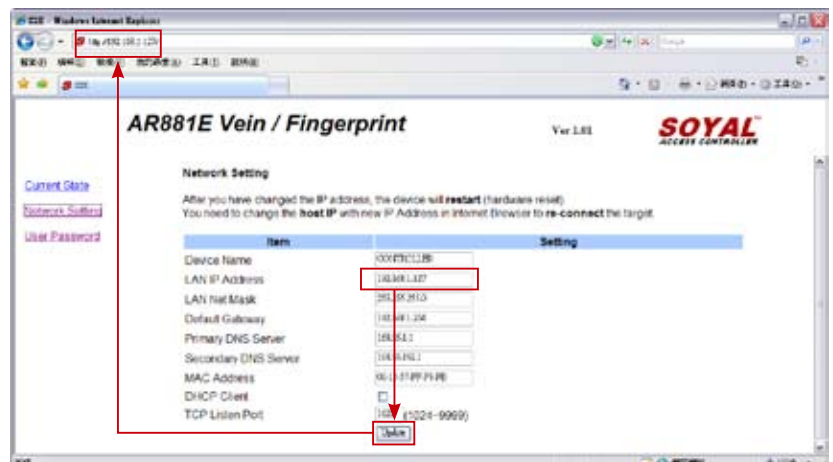
User name: admin

Password: No as default value, so please just press "OK" to log-in



- Networking Setting

You will find initial IP Address 192.168.1.127 and check MAC Address is the same as sticker on Ethernet Module device. Please revise IP address you want, and then click "Update" button. After updating the IP, please re-connect the Web Browser by new IP address.



- User Password

Change the log-in password to lock the IP setting of Ethernet Module.

The password composes of 10 characters at most, it can be either A~Z or 0~9.



Command List (By WG Keyboard)

Function	Command	Exposition
Entering programming mode	* PPPPPP #	PPPPPP: Master Code, (Default value: 123456)
Exiting programming mode	* #	
Exiting programming mode and enabling all device into arming status.	* * #	Including 881EF/EV, WG Reader
Enabling each device into arming status.	* * U #	U= Enable target unit (0=881EF/EV , 1=WG Reader)
Node ID setting	00 * NNN * MMM * AAA #	NNN=Node ID,(001~254) MMM=881EF/V Door Number,(001~255) AAA=WG Reader Door Number,(001~255)
IP Address assign (Must power reset)	01 * 0 * CCCCCCCCCC #	default value = 192.168.1.127 CCCCCCCCCCCC = 192168001127 If set to 000.000.000.000 will enable DHCP otherwise will disable DHCP
	01 * 1 * 255255255000 #	Netmask
	01 * 2 * 192168001254 #	Gateway assign
Door relay time setting	02 * U * TTT #	U= Enable target unit (0=881EF/EV , 1=WG Reader) TTT=Door relay time 000 (Output constantly) 001~600= 1-600 Sec. ; 601~609=0.1~0.9Sec.
Alarm relay time setting	03 * TTT #	TTT= Alarm relay time ; 000 (Output constantly) 001~600= 1~600 Sec.
Arming delay time setting	05 * TTT #	Base on second, range: 001~255
Alarm delay time setting	06 * TTT #	Base on second, range: 001~255
Master card setting	07 * SSSSS * EEEEE #	SSSSS-EEEE=00000~15999 SSSSS= starting user address; EEEEE= ending user address
Auto-open zone setting	08 * MW * NN * HHMMhmm * 7123456H #	M=881EF/EV; W=WG Reader (0=disable; 1=enable) NN= 16 sets of auto-open zone (Range: 00~15) HHMMhmm=staring time to ending time (e.g.: 08301200=08:30 to 12:00) 7123456: 7 days of week -Sun/Mon/Tue/Wed/Thu/Fri/Sat (Input value: 0=disable; 1=enable) H: Holiday (Input value: 0=disable; 1=enable)
Master code settings	09 * PPPPPRRRRR #	PPPPPP= New master code RRRRRR= Repeat the new master code
Suspend or delete tags	Suspend : 10 * SSSSS * EEEEE # Delete : 10 * SSSSS 9 EEEEE #	* :Suspend 9 :Delete SSSSS= starting user address; EEEEE= ending user address
Recover tag	11 * SSSSS * EEEEE #	SSSSS= starting user address; EEEEE= ending user address
Setting up Card or PIN mode by user address	12 * UUUUU * PPPP #	UUUUU= user address; PPPP=4-digit individual PWD (Access mode: Card or PIN)
Arming output setting	14 * TTT #	Base on 1ms, range:1~255, default value=10, Input 0= Timeless
Duress code setting	15 * PPPP #	PPPP= 4-digit PWD (0001-9999) Default value : 4321
Arming PWD setting	17 * PPPP #	PPPP= 4-digit PWD (0001-9999) Default value : 1234
Enabling or Disabling into arming status	Card+NNNN #	NNNN : Arming PWD
Enabling or Disabling each device into arming status.	Card+NNNN * U #	U= Enable target unit (0=AR-881EF/EV , 1=WG Reader)
Enabling all device into arming status.	Card+NNNN * * #	
Disabling all device into arming status.	Card+NNNN * 9 #	
Door open waiting time	18 * U * TTT #	U= Enable target unit (0=881EF/EV , 1=WG Reader) TTT=Door open waiting time:001~600;default value:15 sec.
Set the card by induction	19 * UUUUU * QQQQQ #	UUUUU=user address QQQQQ=Card quantity(00001=Continuously inducting)
Reader additional setting	20 * U * DDD #	U= Enable target unit (0=AR-881EF/EV , 1=WG Reader) DDD=Function default value
Lift control setting: multi-doors	21 * UUUUU * G * LLLLLLL #	UUUUU= user address ; G=4 sets of lift control(0~3); LLLLLLLL=8 assigned floor (F=0: Disable, 1: Enable)
AR-401RO16/ AR-401RO16B relay time setting	23 * MMM * TTT #	MMM=Node ID of lift controller TTT= relay time: 000~600=1~600 sec.
Factory setting	24 * U * DDD #	U= Enable target unit (0=AR-881EF/EV , 1=WG Reader) DDD : Function default value
Real time clock setting	25 * YYMMDDHHMMSS #	YYMMDDHHmmSS: Year/Month/Day/Hour/Min./Sec.

Biometrics Device Access controller



Fingerprint & Finger Vein

V111213

Command List (By WG Keyboard)

Function	Command	Exposition
Anti-pass-back (Enable user)	26 * SSSSS * EEEEE * P #	SSSSS= starting user address; EEEEE= ending user address P=0=Enable; P=1=Disable; P=2=Initial
Lift control setting: single door	27 * UUUUU * LL #	UUUUU= user address ; LL : Floor number(01~64 floor)
Duress Function and Arming output setting	28 * FFF #	Arming output and Duress function: FFF= 008 (default value)
Delete all tag	29 * 29 * #	
Same tag reading interval time	31 * TTTT #	Base on 10ms, range from 10 to 6000
Auto ring the clock alarm schedule	32 * SS * HHMMTT * 7123456H #	SS= 16 sets auto alarm schedule, range 0~15 HHMM= HH:MM (ex. 0830: Ring bell at 08:30) TT=Period of time to ring bell (Base on second, range 01~99 sec.) 7123456: 7 days of week -Sun/Mon/Tue/Wed/Thu/Fri/Sat (Input value: 0=disable; 1=enable) H: Holiday (Input value: 0=disable; 1=enable)
Holiday Setting	35 * MMDD * F #	MM= Month of year (01=Jan...10=Oct.) DD= Date of month (01=1st day of month) F= 0:Delete ; 1: Add
Enabling or Disabling into Full Access status	36 * MW #	M=881EF/EV; W=WG Reader (0=disable; 1=enable)
RS485 port function setting (Needs to be restarted after setting)	37 * AB #	A=0:AR401RO B=0: 9600(default value) 1:Host (default value) 1: 19200 2:LED Panel 2: 38400 3:Printer 3: 57600
Biometric forms set (Needs to be restarted after setting)	38 * DDD #	002= 2000 Finger-Vein recognition 003= 9000 Optical / Capacitive fingerprint recognition 004= 200 Optical fingerprint recognition 008= 200 Capacitive fingerprint recognition 012= 200 Optical & Capacitive fingerprint recognition
Adding / Deleting Fingerprint or Finger-Vein	39 * F * UUUUU #	F= 1: Adding one finger data 2: Adding two finger data 0: Delete UUUUU= user address
Deleting All Fingerprint or Finger-Vein	39 * 9 * 99999 #	
En/Disable Skip Finger/Tag	40 * F * NNNNN * EEEEE #	First 40*1*NNNNN*EEEE# } setting a pair of command Then 40*3*NNNNN*EEEE# } Access mode: FP first and then Tag (Default Value) First 40*0*NNNNN*EEEE# } setting a pair of command Then 40*2*NNNNN*EEEE# } Access mode: FP only or Tag only NNNNN= starting user address;EEEE= ending user address

Function Default Value

20 * U * DDD

Function	Option	Value	Application	※Default Value
Time Attendance	※0: Yes 1: No	001	Networking	
Auto Re-lock	※0: Disable 1: Enable	002	Networking/Stand-Alone	
Auto Open	※0: Disable 1: Enable	004	Networking/Stand-Alone	
When Access Mode is "Card and PIN", Readers can skip pressing PIN code.	※0: Disable 1: Enable	008	Networking/Stand-Alone	
Exit by Push Button	0: Disable ※1: Enable	016	Networking/Stand-Alone	
Enable force Open	※0: Slave 1: Mater	032	Networking	
As Access/Exit Reader	※0: Exit 1: Access	064	Networking	
Anti-pass-back	※0: Disable 1: Enable	128	Networking	

24 * U * DDD

Function	Option	Value	Application	※Default Value
Enable Egress Beep Sounds	※0: Disable 1: Enable	001	Networking/Stand-Alone	
Skip Tag after FP Access	※0: Disable 1: Enable	002	Networking/Stand-Alone	
Enable Arm/Disarm Zone(62)	※0: Disable 1: Enable	008	Networking/Stand-Alone	
Reader and controller share the same door relay (only for reader)	0: Disable ※1: Enable	016	Networking/Stand-Alone	
Free Access Mode	※0: Disable 1: Enable	032	Networking/Stand-Alone	
Stop Alarm by...	※0: None 1: Push button/Door Closed	064	Networking/Stand-Alone	
Open door immediately without 1st card presented at auto open zone	※0: Disable 1: Enable	128	Networking/Stand-Alone	

28 * FFF

Function	Option	Value	Application	※Default Value
Expiry User Access Trigger Alarm	※0:Disable 1:Enable	001	Networking/Stand-Alone	
Auto Reset Anti-pass on TZ61	※0:Disable 1:Enable	002	Networking/Stand-Alone	
Duress Function and Arming output setting	0:Wiegand output ※1: Arming and Duress	008	Networking/Stand-Alone	
RS-485	401RO16B:00 ※HOST: 01 LED: 10 PRN: 11	000 016 032 048	Networking/Stand-Alone	