

### 1 Features

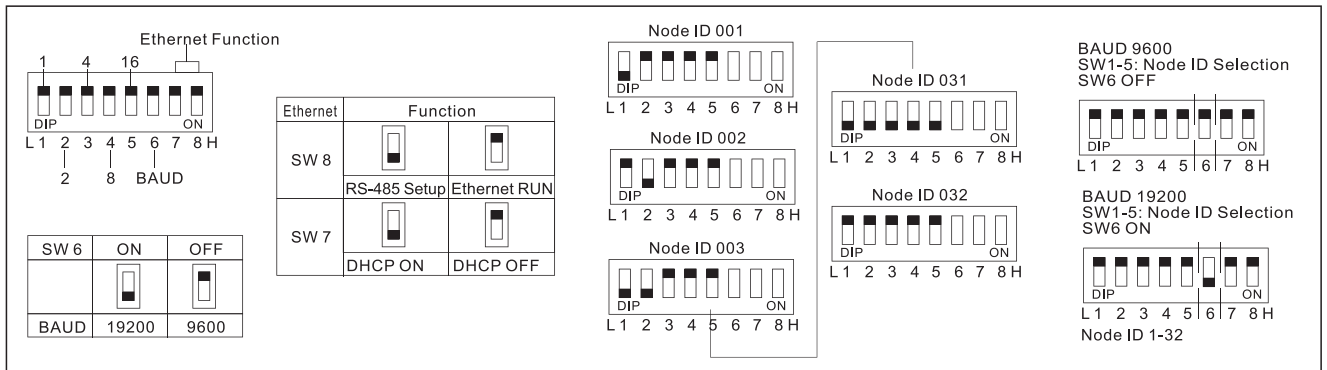
- Optional Ethernet Interface
- Built-in Watchdog Timer

### 2 Specification

- Baud rate : 9600 bps / 19200 bps (N, 8, 1)
- Communication: RS-485 / Ethernet (optional)
- Channels : 1. 16 N.C. Contact Input  
2. Loop condition Open / Close / Break
- Power Supply : +9 ~ +24VC
- Input type : Dry contact or open collector sink
- LED indicator Power, Tx/Rx, Input Close/Open/Break  
Network communication : Link, ACT, Busy
- Option : AR-727i 10M Ethernet (AR-401DI16/i)
- Dimension(mm) 97(L) x 44(W) x 180(H)
- Weight (g) 600± 50
- Housing Material : Metal

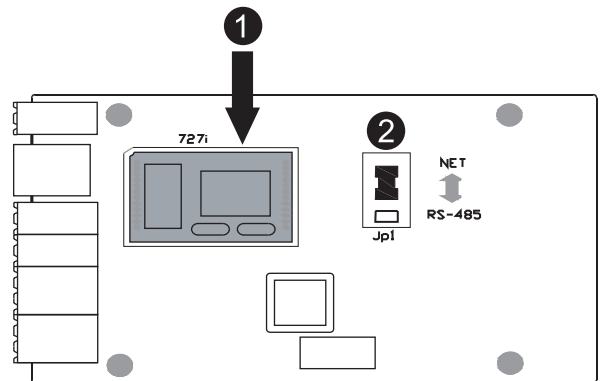


### 3 AR-401DI16 Node ID Setting

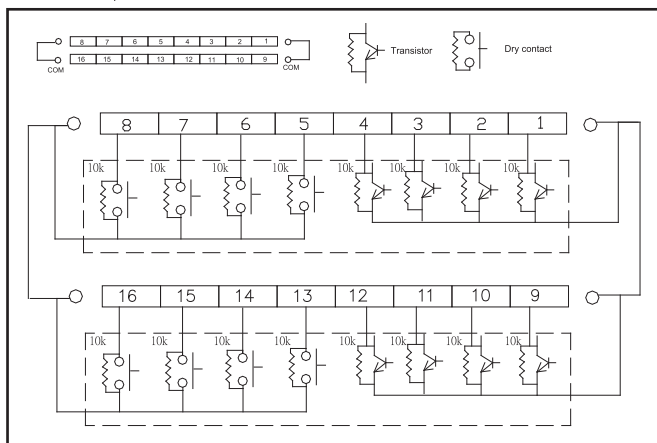


### 4 AR-401DI with Ethernet Interface :

- Equipment : AR401DI & AR727i Serial Device Network Module(sold separately)
- Installation Notice :
  - Please put AR 727i on the pcb of AR-401DI for installation
  - JP1 jump to "Net" Selection
  - Installation complete



### 5 AR-401DI16 Installation



Please visit [www.soyal.com.tw](http://www.soyal.com.tw) to download the operation manual for more detailed information. AR-401DI is also allowed to operate through software please contact your supplier to acquire it.