

- Bi-color LED ring indicator
- Ultra-thin design for surface mount installation
- Waterproof (IP65)
- Built-in over current protection



Green-Red, Blue-Red
and White-Red LED
Rings for Optional.

* PT No.:M307832 M307833

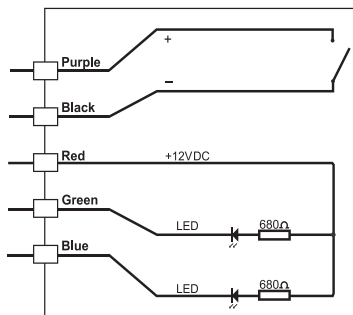
PIN Define

Red	Black	Purple	Blue	Green
LED Power	Switch Output		LED (White)	LED (Red)
			LED (Blue)	LED (Red)
			LED (Red)	LED (Gray)
+12V DC	COM	N.O. (Open Collector)	Low Active	Low Active

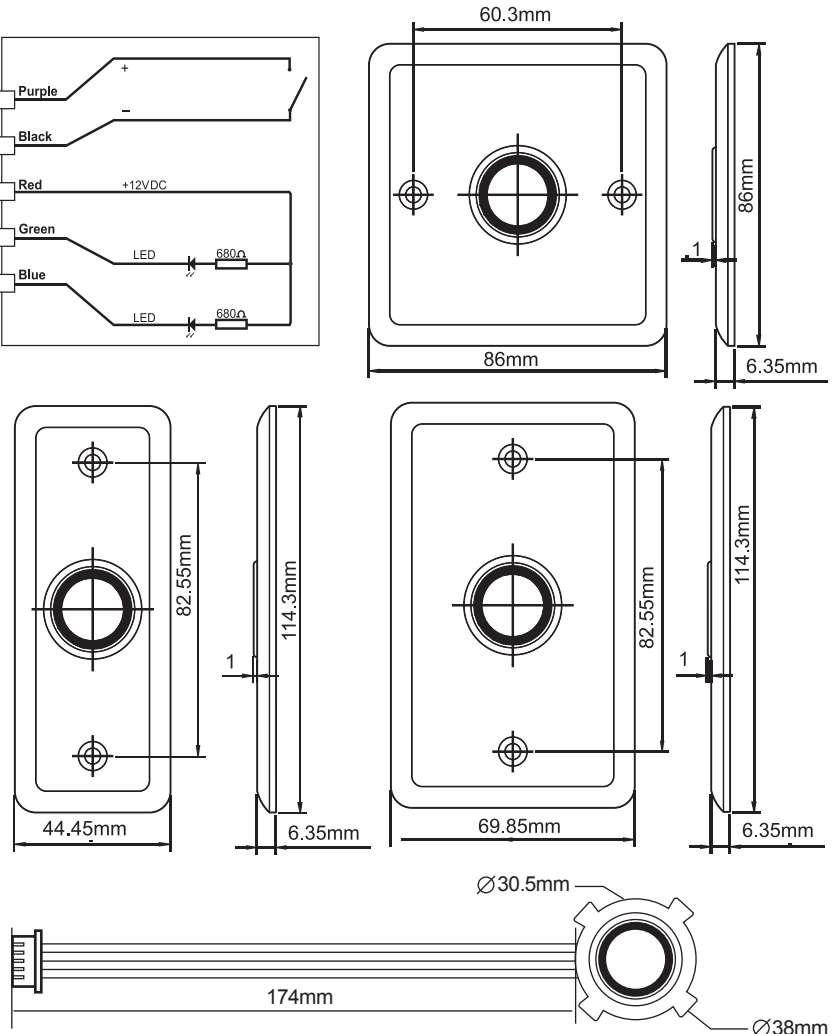
Specification:

Features	Description	min	typical	max
Switch Type	Normally Open(N.O.)	-	-	-
Input voltage	DC 5~24V	5	12	24
Switch current	100mA	-	100mA	-
On resistance	-	10 Ω	15 Ω	25 Ω
Off resistance	-	2MΩ	4MΩ	5MΩ
Protection	Poly switch(Max 24V DC)	150mA	250mA	350mA
Indicator	Red & Blue/Green/White LED (680 Ω serial resistor for each LED)	-	10mA @12V DC	-
Force	-	110g	200g	1000g
	5V DC	50ms	350ms	1000ms
Pulse time	12V DC	50ms	350ms	1000ms
	24V DC	100ms	120ms	800ms

Inside Circuit:



Dimension:



Category (Optional)

- Model.No : 6A、7A、8A、MDL
- Color : Blue Red(BR)、Green Red(GR)、White Red(WR)
- EXIT Printed : With、W/O
- Logo : With、W/O