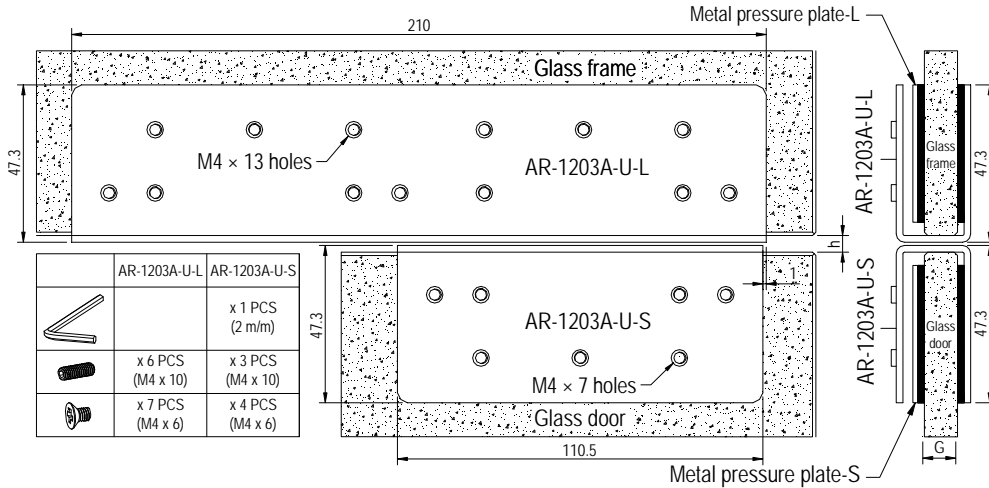


AR-1203A-U GLASS JIG INSTALLATION INSTRUCTIONS

AR-1203A-U DIMENSIONS & CONTENTS



AR-1203A-U-L (Bolt lock)
Size: 210L x 47.3W (mm)
Stainless steel thickness 2.0mm

Metal pressure plate-L
Size: 203.2L x 40W (mm)

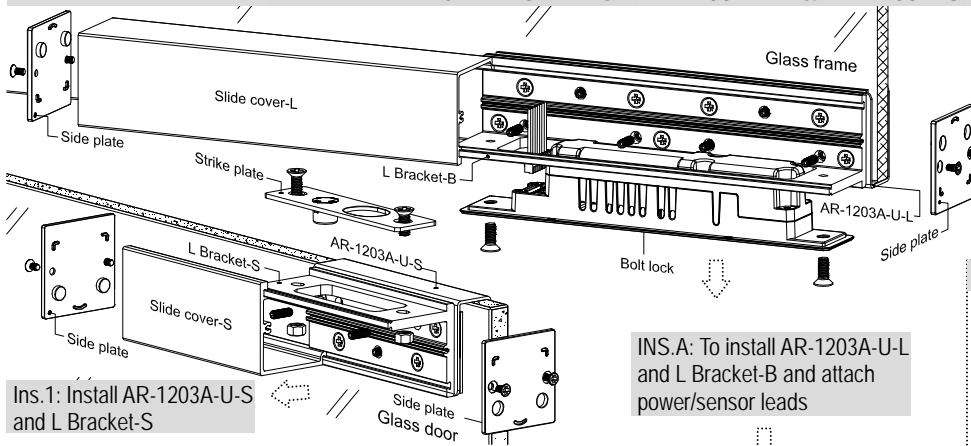
AR-1203A-U-S (Strike plate)
Size: 110.5L x 47.3W (mm)
Stainless steel thickness 2.0mm

Metal pressure plate-S
Size: 104L x 40W (mm)

Suitable for door crack width (h)
4mm < h < 13mm

Suitable for glass thickness (G)
G=8~12mm

THE REFERENCE DIAGRAM OF AR-1203A-BR & AR-1203A-U INSTALLATION

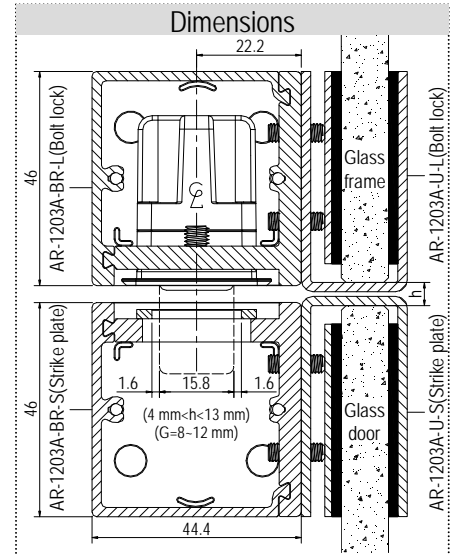


Ins.1: Install AR-1203A-U-S and L Bracket-S

INS.A: To install AR-1203A-U-L and L Bracket-B and attach power/sensor leads

AR-1203A-BR & AR-1203A-U:
1. Suitable for door crack width (h)
4mm < h < 13mm

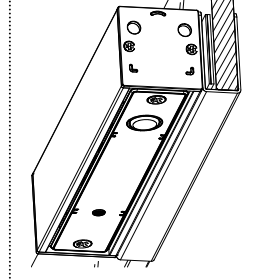
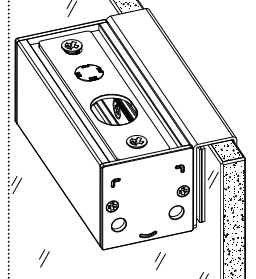
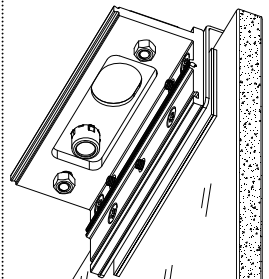
2. Suitable for glass thickness (G)
G=8~12mm



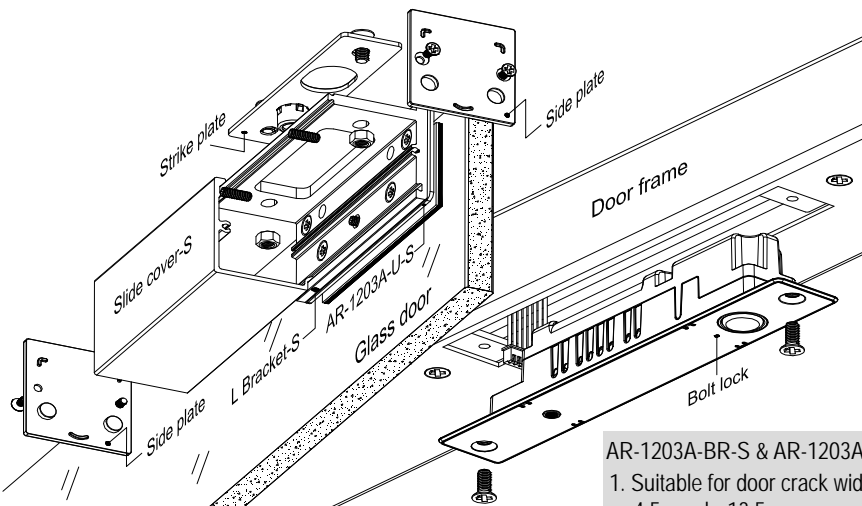
Ins.2: Install Strike plate

Ins.3: Finish BR-S & U-S

INS.B: Finish BR-L & U-L



THE REFERENCE DIAGRAM OF AR-1203A-BR-S & AR-1203A-U-S INSTALLATION



AR-1203A-BR-S & AR-1203A-U-S
1. Suitable for door crack width (h)
4.5mm < h < 13.5mm

2. Suitable for glass thickness (G)
G=8~12mm

