

### Specification & Feature

Item NO.	AR-721-RB
Voltage	12VDC
Power Consumption	40mA
Output contact	1 From C
	12A at 125VAC
	7A at 250VAC
	7A at 30VDC
Operating Temperature	-20°C to +60°C
Dimension (mm)	33.6(L) x 47.8(W) x 22.6(H)
N.W.(g)	34±0.5

### Functions:

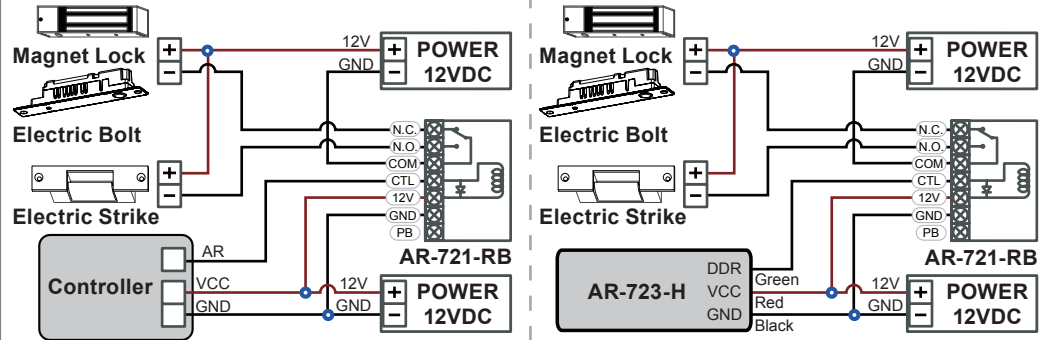
- Alternates traditional relay module, raise security, resist from stealing, and avoid wrong operation.

### Features:

- Supports N.O. type Egress button input
- Supports security trigger signal for relay active
- Support 4 delay time: 0.1, 3, 6, 9 sec.
- Easy Delay Time setting via DIP SW
- Contact capacity up to 12A/125VAC, 7A/250AC, 7A/30VDC

### Diagram

#### Connected with controller:



#### Connected with Egress button:

