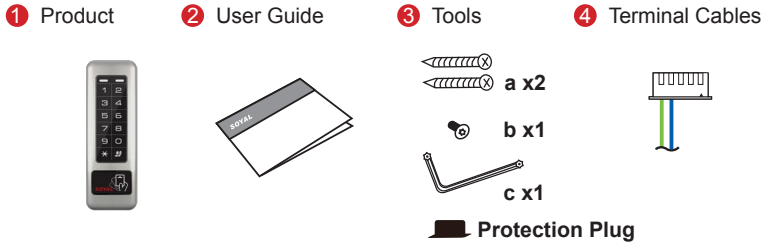
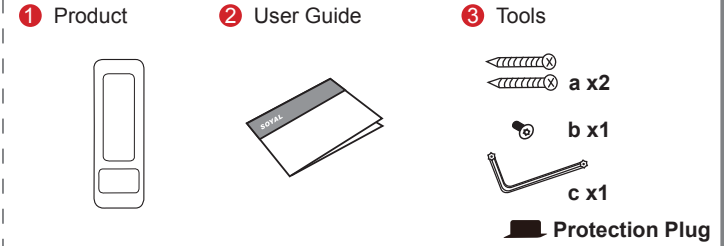


### Contents

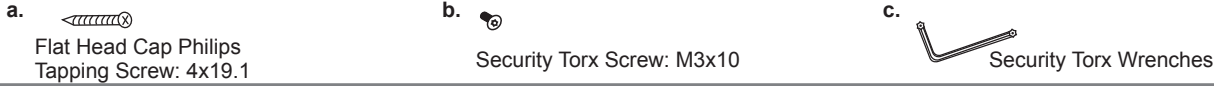
#### AR-331K [With Illuminated Key]



#### AR-331U [W/O Illuminated Key]

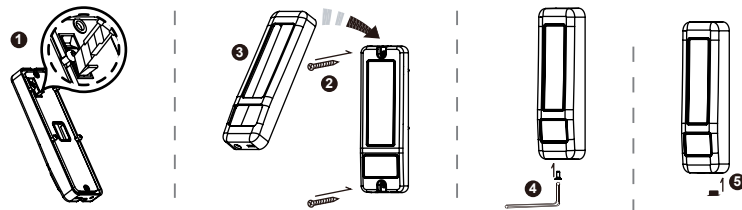


### Parts Description



### Installation

#### AR-331K/AR-331U



- To cut tamper-resistant column and make it fit the appropriate height for actual installation.
- First, take off the metal casing then screw the controller on the wall.
- Second, put the metal casing back and lock it with security screw.
- Finally, put the Protection plug into the hole.
- Turn on the power, and LED will light and beep will sound.

#### AR-331KB/AR-331UB Terminal Cable (125kHz)

Wire Application	Wire	Color	Description
Power	1	Black	DC Power 0V (GND)
	2	Red	DC Power 12V
Beeper	3	Purple	Beeper Input (Low Sound)
Wiegand	4	Green	Wiegand DAT:0 Output
	5	White	Card Present
Wiegand	6	Blue	Wiegand DAT:1 Output
LED	7	Yellow	LED Red Input ( Low Bright)
	8	Brown	LED Green Input ( Low Bright)
Tamper Switch	9	Gray	N.O.
	10	Orange	COM

#### Output Selection

Output	232 (TTL)/ABA (DIP_SW1)	26/34 (DIP_SW2)
WG26	OFF	OFF
WG34	OFF	ON
RS-232 (TTL)	ON	OFF
ABA II	ON	ON

AR-331KB/AR-331UB RS-232 (TTL) Format: 9600, N, 8, 1  
 DAT:0: TTL Inverted Serial Output.(Connect to PC COM port)  
 DAT:1: TTL Serial Output.  
 (Connect to PC COM port through RS-232 invert driver)



WG34  
AR-331KB/AR-331UB[125kHz]

#### AR-331KD/AR-331UD Terminal Cable (13.56MHz)

Wire Application	Wire	Color	Description
Power	1	Black	DC Power 0V (GND)
	2	Red	DC Power 12V
Beeper	3	Purple	Beeper Input ( Low Sound )
Wiegand	4	Green	Wiegand DAT:0 Output
	5	White	Card Present
Wiegand	6	Blue	Wiegand DAT:1 Output
LED	7	Yellow	LED Red Input
	8	Brown	LED Green Input
Tamper Switch	9	Gray	N.O.
	10	Orange	COM

#### Output Selection

Output	26/34(DIP_SW1)	232(TTL)/ABA(DIP_SW2)
WG26	ON	OFF
WG34	OFF	OFF
ABAI	OFF	ON
RS-232(TTL)	ON	ON

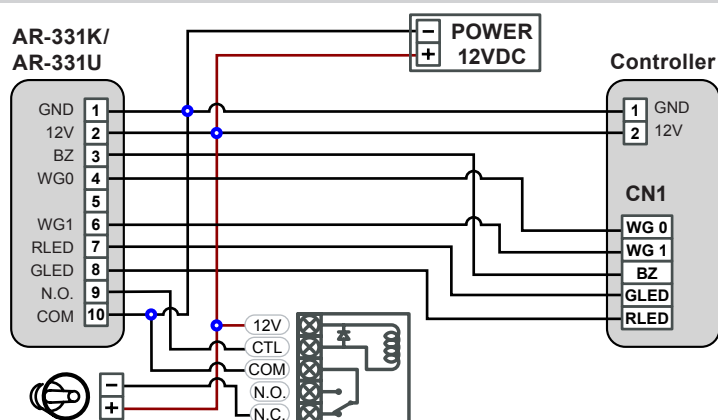
Wire Application	Wire	Color	Description
-	1	-	-
-	2	-	-
-	3	-	-
TCP/IP Output	4	Blue	RS-485A+
TCP/IP Output	5	Green	RS-485B-



WG34  
AR-331KD/AR-331UD[13.56MHz]

### Wiring Diagram

#### Connect to Reader



#### Networking Diagram (13.56MHz)

